

## PCT380 Smart Temperature Transmitter



- Can convert all inputs to 4-20 mA
- Input: thermocouples, RTD, resistance or voltage
- Configuration directly via PDA or PC
- Build-in cold junction compensation
- Available with screw-in temperature probe

PCT380 is a head mount temperature transmitter with a single input. The single input accepts thermocouples, RTD, resistance or voltage source. All inputs are linearized and converted in to an industrial standard 4 to 20 mA output for transmission to your system.

### Main parameters

Accuracy	≤0.1%F.S.
Power supply	12-40V
Signal input	RTD TC resistance mV
Signal output	4-20mA   1-5V(customized)
Digital communication	Hart protocol
Response time	≤1s
Operating temp.	-40° C-85° C
Ingress protection	4g <sup>2</sup> -150Hz
Cold junction compensation	Build-in
Configuration	PAD or PC

### RTD temperature probes

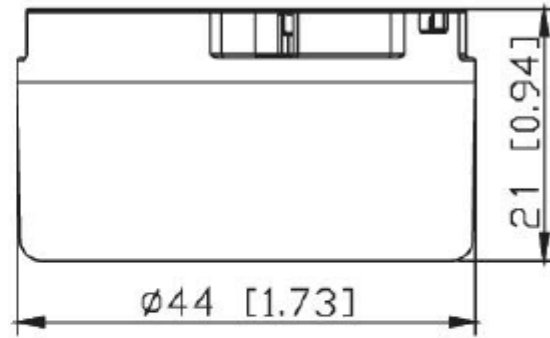
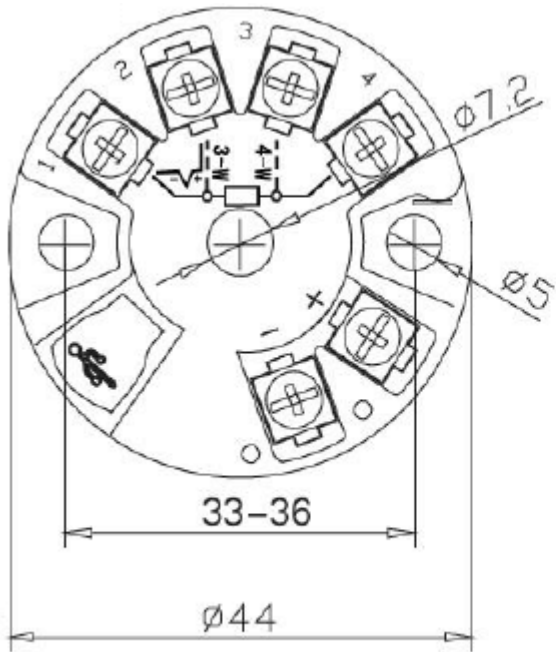
Description	Measuring range °C		Minimum measuring range	Connection type
PT100	-200	850	10K	Three-wire
Cu50	-50	150	10K	Three-wire

### Thermocouples

Description	Measuring range °C		Minimum measuring range	Connection type
B	400	1820	500K	Two-wire
E	-100	1000	50K	Two-wire
J	-100	1200	50K	Two-wire
K	-180	1372	50K	Two-wire
N	-180	1300	50K	Two-wire
R	-50	1760	500K	Two-wire
S	-500	1760	500K	Two-wire
T	-200	400	50K	Two-wire

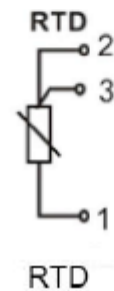
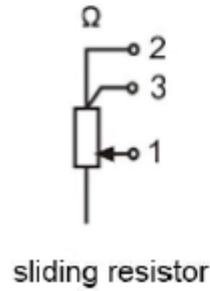
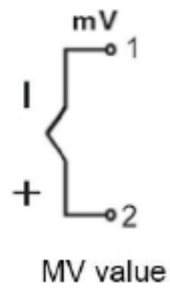
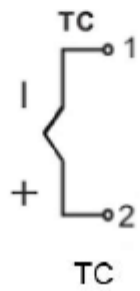
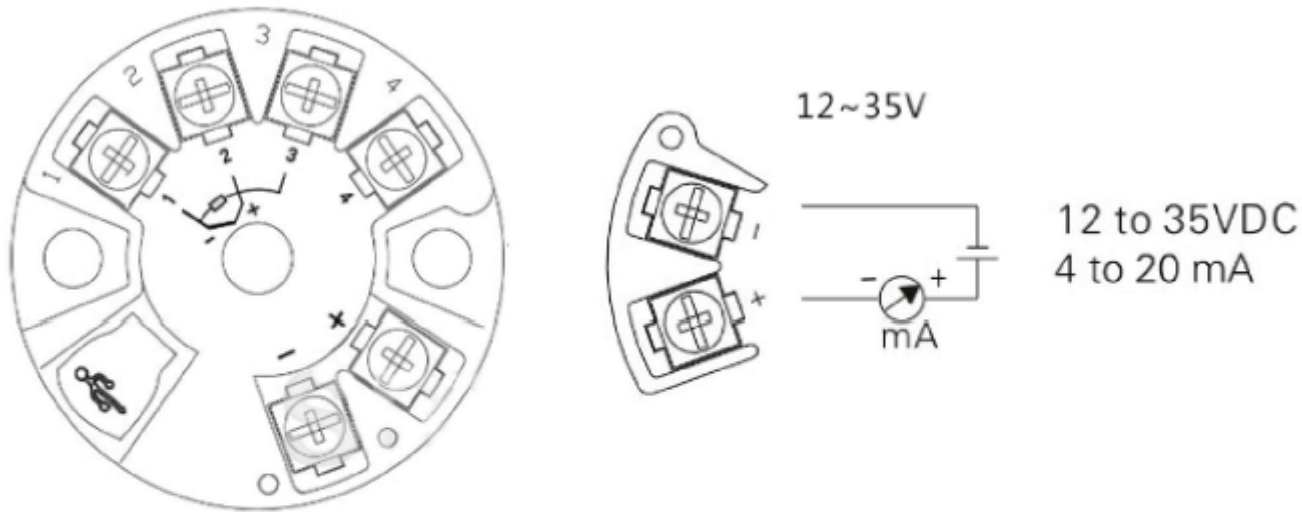
### RTD temperature probes

Description	Measuring range Ω		Minimum measuring range	Connection type
Resistance transmitter	0	4500	500K	Two-wire



: Mm(in)

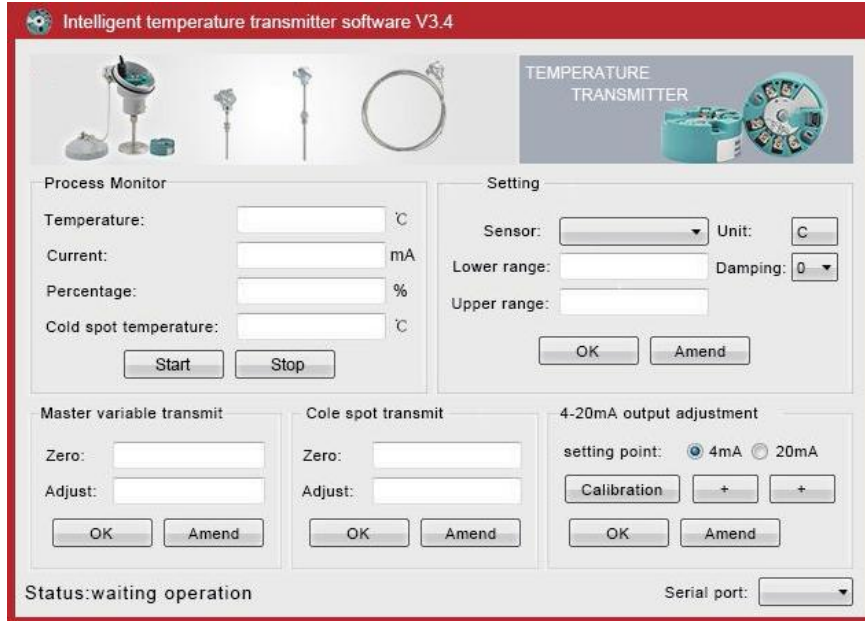
■ **Note:** *When mounting on a sensor head, do not overtighten the screws.  
Take necessary measure to avoid corrosion or damage of cables and wires.*



### ■ *Function*

- Install the driver
- Connect the transmitter with PC, open the software
- Choose the sensor type and temperature unit
- Set the temperature range accordingly
- Click ok or amend if need modify and then finish
- Other parameters are default and no need to set normally

### ■ *Fenster*



Wotian reserves the right to make any change in this publication without notice. The information we provided is believed to be accurate and reliable as of this product sheet.

#### Contact us

Nanjing Wotian Technology Co.,Ltd.

Add: 5 Wenying Road, Binjiang Development Zone, Nanjing, 211161, China

Sales Manager: Wuzhou Lian

MP: 0086-13998828452

Email: [lianwuzhou@wtsensorus.com](mailto:lianwuzhou@wtsensorus.com)