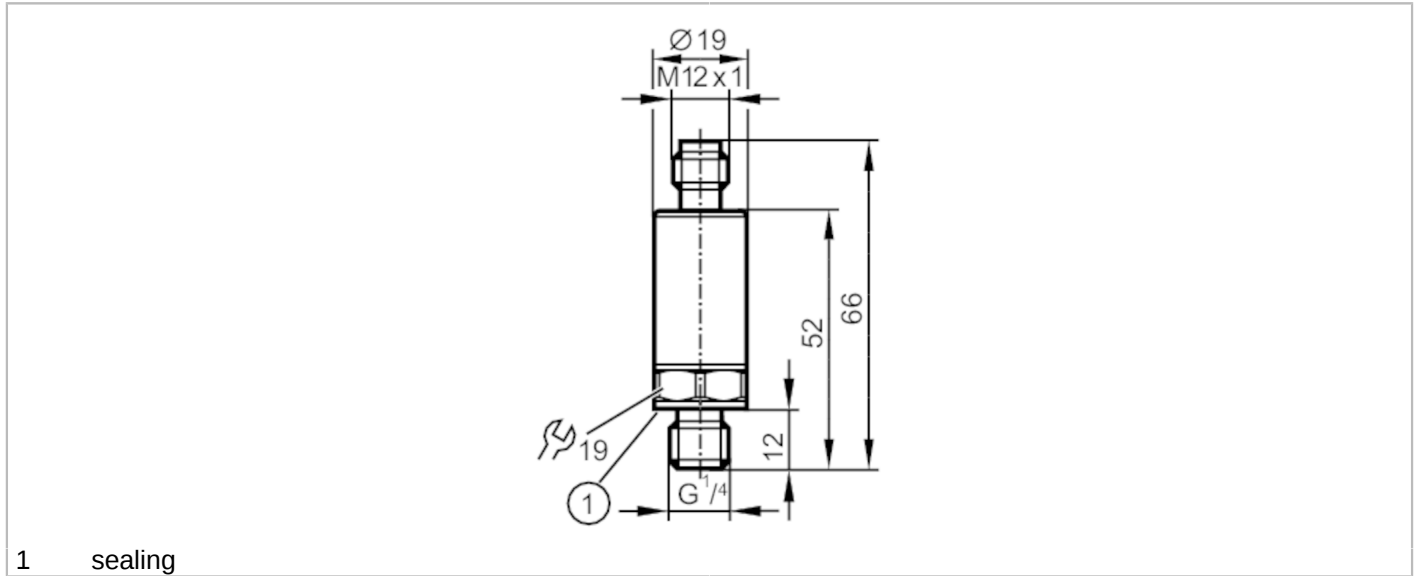


# PT5443



## Pressure transmitter

PT-040-SEG14-A-ZVG/US/ IW



Product characteristics			
Output signal	analog signal		
Measuring range	0...40 bar	0...580 psi	0...4 MPa
Process connection	threaded connection G 1/4 external thread (DIN EN ISO 1179-2)		
Application			
Application	for industrial applications		
Media	liquids and gases		
Medium temperature [°C]	-40...90		
Min. bursting pressure	800 bar	11600 psi	80 MPa
Pressure rating	100 bar	1450 psi	10 Mpa
Note on pressure rating	static		
Vacuum resistance [mbar]	-1000		
Type of pressure	relative pressure		
Electrical data			
Operating voltage [V]	8.5...36 DC		
Min. insulation resistance [MΩ]	100; (500 V DC)		
Protection class	III		
Reverse polarity protection	yes		
Inputs / outputs			
Number of inputs and outputs	Number of analog outputs: 1		

# PT5443



## Pressure transmitter

PT-040-SEG14-A-ZVG/US/ IW

Outputs			
Total number of outputs		1	
Output signal		analog signal	
Number of analog outputs		1	
Analog current output	[mA]	4...20	
Max. load	[Ω]	720; (U <sub>b</sub> = 24 V; (U <sub>b</sub> - 8,5 V) / 21,5 mA)	
Short-circuit proof		yes	
Overload protection		yes	
Measuring/setting range			
Measuring range		0...40 bar	0...580 psi
			0...4 MPa
Accuracy / deviations			
Repeatability	[% of the span]	< ± 0,05; (with temperature fluctuations < 10 K)	
Characteristics deviation	[% of the span]	< ± 0,5; (incl. drift when overtightened, zero point and span error, non-linearity, hysteresis)	
Linearity deviation	[% of the span]	< ± 0,1 (BFSL) / < ± 0,2 (LS)	
Hysteresis deviation	[% of the span]	< ± 0,2	
Long-term stability	[% of the span]	< ± 0,1; (per 6 months)	
Temperature coefficient zero point and span	[% of the span / 10 K]	< 0,1 (-25...90 °C) / < 0,2 (-40...-25 °C)	
Reaction times			
Step response time analogue output	[ms]	1	
Operating conditions			
Ambient temperature	[°C]	-40...90	
Storage temperature	[°C]	-40...100	
Protection		IP 67; IP 69K	
Tests / approvals			
EMC		DIN EN 61000-6-2	
		DIN EN 61000-6-3	
Shock resistance		DIN EN 60068-2-27	50 g (11 ms)
Vibration resistance		DIN EN 60068-2-6	20 g (10...2000 Hz)
MTTF	[years]	784	
UL approval		UL approval number	J027
Pressure equipment directive		sound engineering practice; can be used for group 2 fluids; group 1 fluids on request	

# PT5443



## Pressure transmitter

PT-040-SEG14-A-ZVG/US/ IW

Mechanical data	
Weight [g]	59
Material	1.4542 (17-4 PH / 630); stainless steel (1.4404 / 316L); PEI
Materials (wetted parts)	1.4542 (17-4 PH / 630)
Min. pressure cycles	60 million; (at 1.2 times nominal pressure)
Tightening torque [Nm]	25...35; (recommended tightening torque; Depends on lubrication, seal and pressure rating)
Process connection	threaded connection G 1/4 external thread (DIN EN ISO 1179-2)
Process connection sealing	FKM (to DIN 3869)
Restrictor element integrated	no (can be retrofitted)

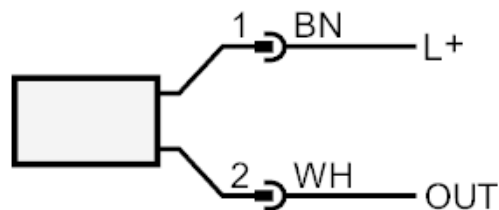
Remarks	
Remarks	BFSL = Best Fit Straight Line LS = limit value setting
Pack quantity	1 pcs.

## Electrical connection

Connector: 1 x M12



## Connection



OUT analog output  
The following pin connection is available at article number PT53xx Pin 1: L+, Pin 3: OUT  
Colours to DIN EN 60947-5-2  
Core colors :

BN brown  
WH white

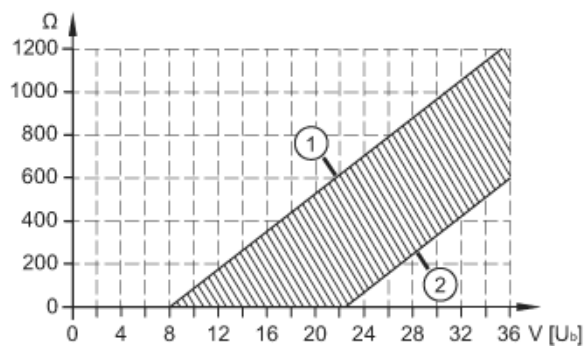
# PT5443



## Pressure transmitter

PT-040-SEG14-A-ZVG/US/ IW

### Diagrams and graphs



1: Max. load

2: Min. load