



- MEMS technology
- Piezoresistive measurement principle
- Small and compact housing
- Long-term excellent work
- Stainless steel housing
- EMC and reverse polarity protection
- Analog Output (4...20mA, 0...10VDC or Ratiometric)

SECTORS OF USE

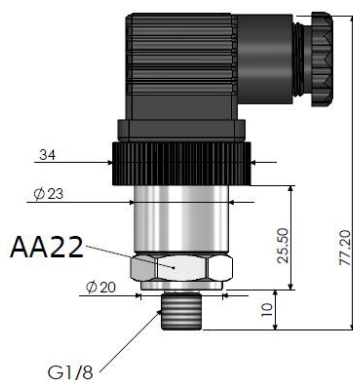
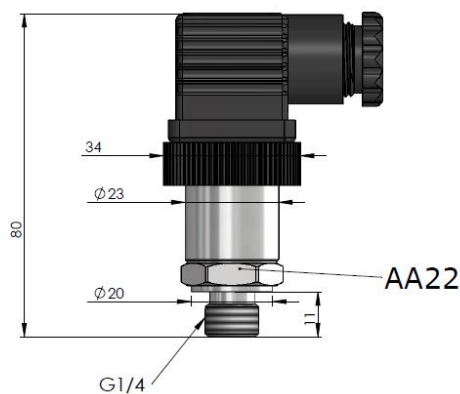
- Compressor Manufacturing
- Medical Applications
- Pneumatic Systems
- Air Cooling-Heating Systems
- Automation Applications

TECHNICAL SPECIFICATIONS

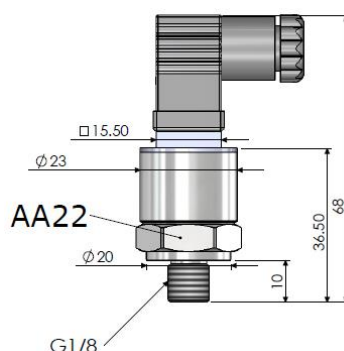
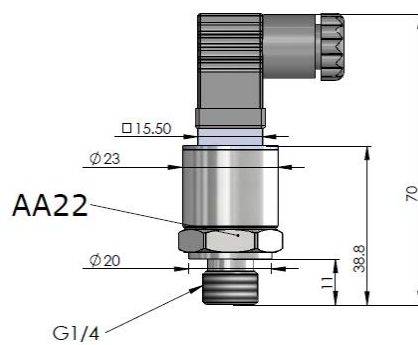
Measurement Range	10 Bar, 16 Bar, 0...-1 Bar , -1...0 Bar
Application Area	Air or non-corrosive gas applications
Output Signal	4...20mA (2-wire), 0...10VDC (3-wire), Ratiometric
Mechanical Connection	G1/4, G1/8, NPT1/4, NPT1/8
Supply Voltage	+12...30 VDC or 5VDC
Precision	%1
Protection Class	IP65
Operating Temperature	-20°C ... +85°C
Housing	303 Stainless Steel
Electrical Connection	With Cable 3 x 0.14 mm ² (4,9 mm cable diameter) or DIN43650-A or DIN43650-C socket

MECHANICAL DIMENSIONS

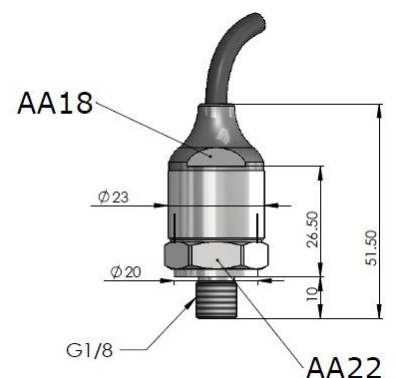
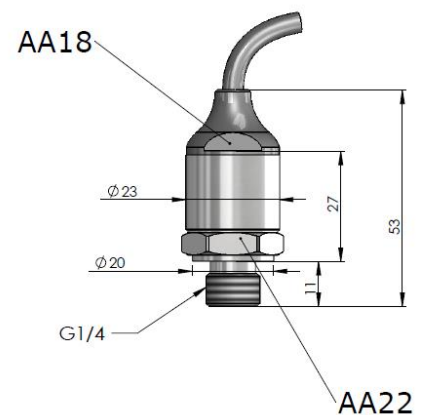
With DIN43650-A Socket



With DIN43650-C Socket



With Cable

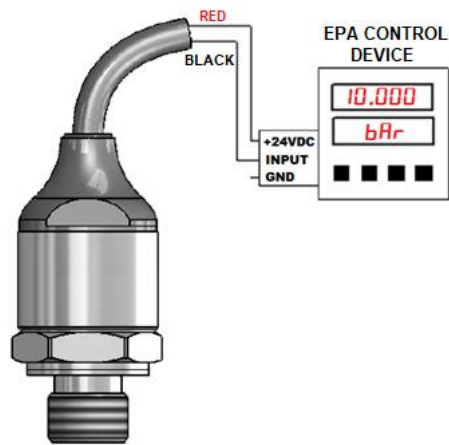
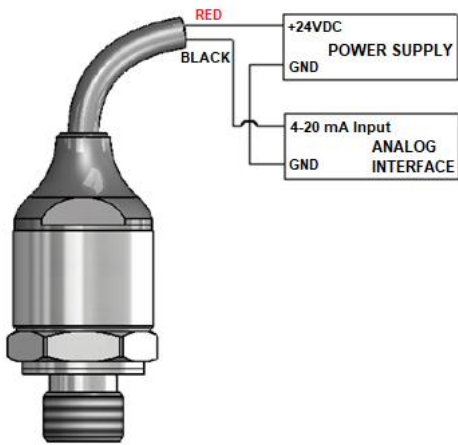
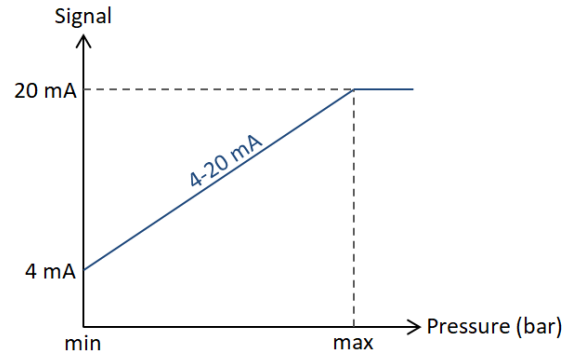


ELECTRICAL CONNECTIONS

Connection with Cable

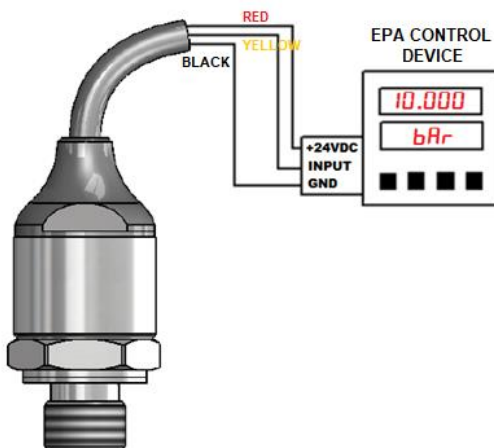
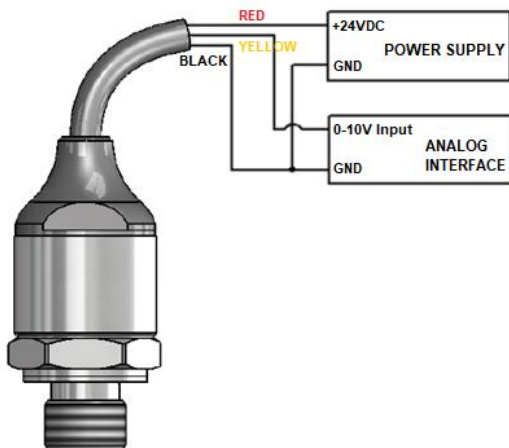
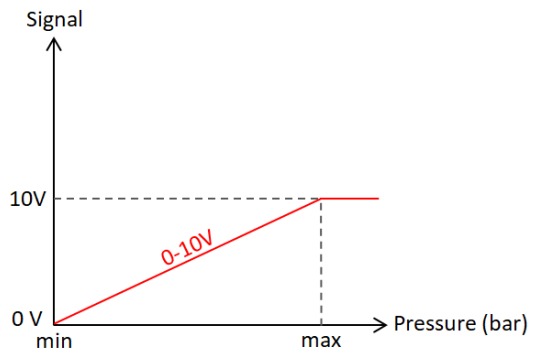
2-Wire 4-20mA Connection

Cable Color	Signal
BLACK	4...20mA Analog Output
RED	+12...30 VDC (Supply)



3-Wire 0-10VDC Connection

Cable Color	Signal
BLACK	GND
RED	+12...30 VDC (Supply)
YELLOW	0...10VDC Analog Output

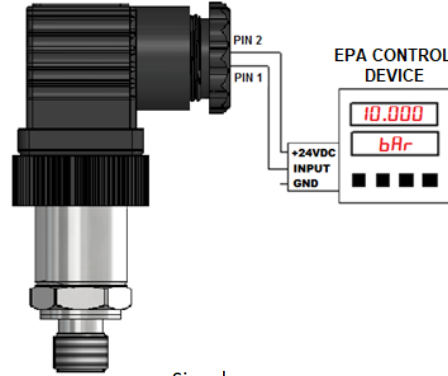
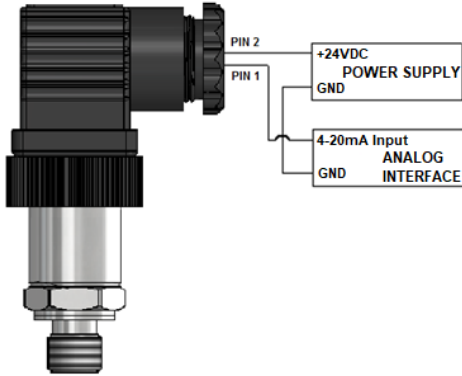
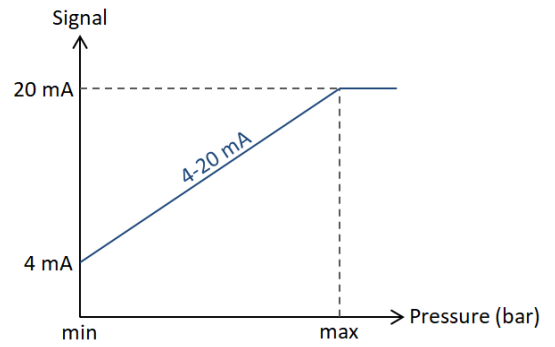
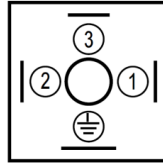


Connection with Socket

2-Wire 4-20mA Connection

Socket Pin No	Signal
1	4...20mA Analog Output
2	+12...30 VDC (Supply)

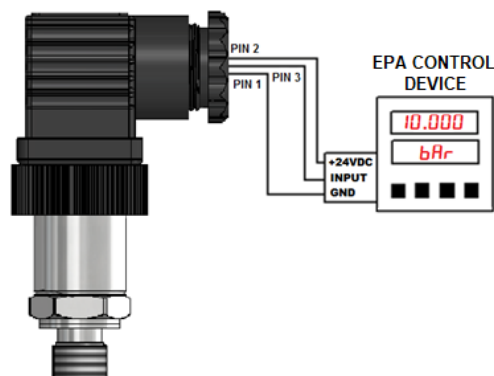
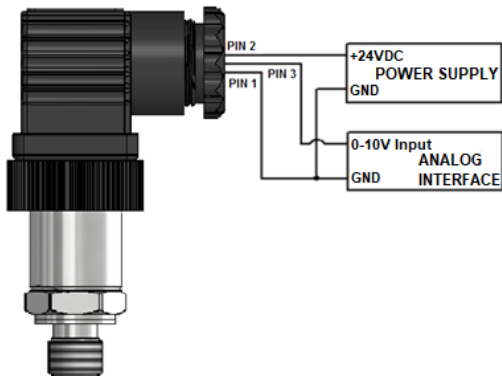
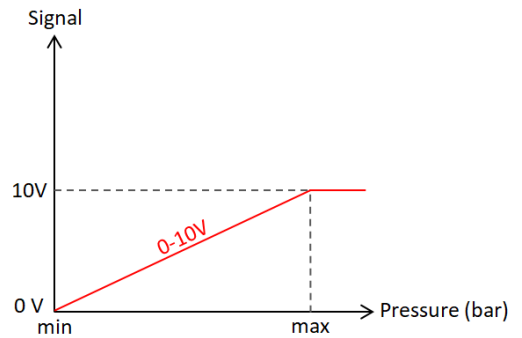
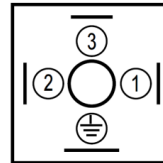
DIN43650 Socket



3-Wire 0-10VDC Connection

Socket Pin No	Signal
1	GND
2	+12...30 VDC (Supply)
3	0...10VDC Analog Output

DIN43650 Socket



ORDER DETAIL

Model

EPT 22

10B

V

G1/4

2M

S

-

Output Signal

V : 0-10 VDC Voltage Output
A : 4-20 mA Current Output
* Please ask for other options.

Electrical Connection

2M : 2 meters cable
S30 : DIN43650-A type large socket
S31 : DIN43650-C type small socket

Operating Pressure Range

10B : 0...10BAR
16B : 0... 16BAR
-1...0B : Vacuum -1...0BAR
0...-1B : Vacuum (Reverse)

Mechanical Connection

G1/4 : G1/4 Connection
G1/8 : G1/8 Connection
NPT1/4 : NPT 1/4 Connection
NPT1/8 : NPT 1/8 Connection

Sensor

S : Silicon

Housing material

Empty : Stainless Steel 303

ATEK SENSOR TECHNOLOGY A.S.

