

PRESSURE TRANSMITTERS

"Piezoresistive Pressure Sensor – 22 mm Body Diameter"

BCT 22



- Piezoresistive pressure sensor
- High sensitivity
- 22 mm body diameter
- Stainless steel case
- EMC and reverse polarity protection
- Analog output: 4...20mA or 0...10VDC
- 100 mBar to 600 Bar

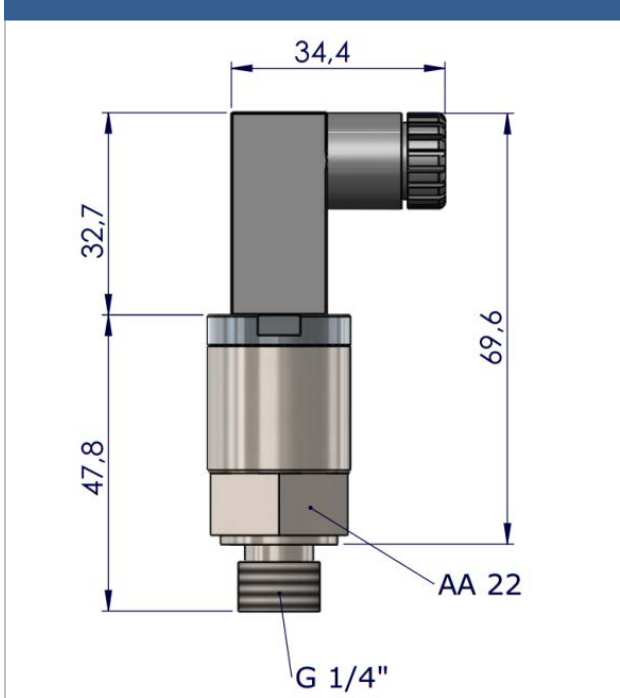
Applications

- Pneumatic Systems
- Hydraulic Systems
- Machines Equipments
- Air Cooling – Heating Systems
- Water Technologies
- Automation Applications

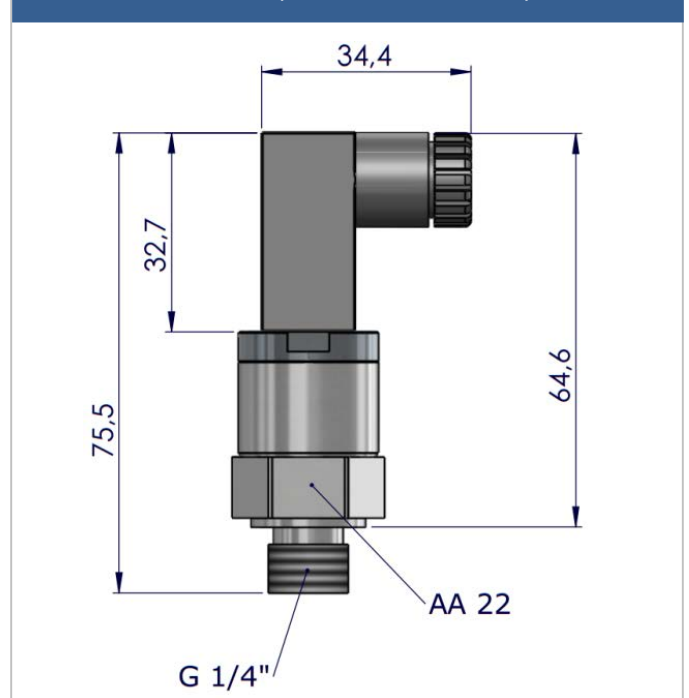
BCT Technical Specifications

| | |
|------------------------------|---|
| Pressure Range | 100 mBar to 600 Bar |
| Output Signal | 4...20mA (2 Wires) , 0...10VDC (3 Wires) Please ask for others |
| Mechanical Connection | G1, G1/2, G1/4 |
| Power Supply | 4-20 mA: 12 ... 30 V _{DC} 0-10 V: 14 ... 30 V _{DC} |
| Resolution | %0,5 |
| Protection Class | IP65 |
| Operating Temperature | -20°C to +85°C |
| Body Material | Stainless steel, Brass |
| Weight | 70 grams |

Mechanical Measurements (Between 100 milibar and 1 Bar)



Mechanical Measurements (Between 1 Bar and 600 Bar)



Order Code

Model

BCT 22

16B

V

G1/4

S

Output Signal

V : 0-10 VDC Analog Voltage
 A : 4-20 mA Analog Current
 V3 : 0,5...4,5 VDC Analog Voltage
 * Please ask for others

Electrical Connection

S : DIN43650 Female Socket
 1M : 1 Metre Cable
 2M : 2 Metre Cable
 * Please ask for others

Pressure

100mB : 100 Milibar
 16B : 16 Bar
 600B : 600 Bar

* Between 100 milibar to 600 Bar

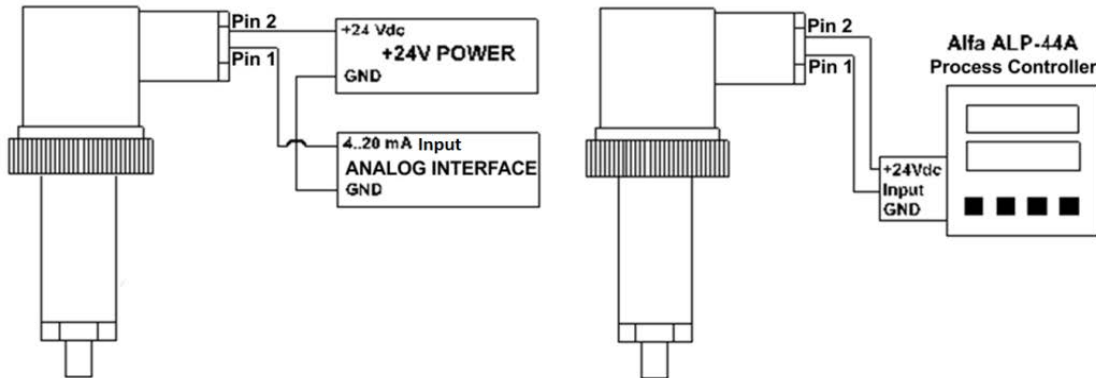
Mechanical Connection

G1/4 : G1/4 Connection
 G1 : G1 Connection
 G1/2 : G1/2 Connection

* Please ask for other mechanical connections

| Pin No 2 Wires 4-20mA Connection | Signal |
|-------------------------------------|------------------------|
| 1 | 4...20mA Analog Output |
| 2 | +12...30 VDC (Supply) |

Sample Connection:



| Pin No 3 Wires 0-10VDC Connection | Signal |
|--------------------------------------|-------------------------|
| 1 | GND |
| 2 | +12...30 VDC (Supply) |
| 3 | 0...10VDC Analog Output |

Sample Connection:

